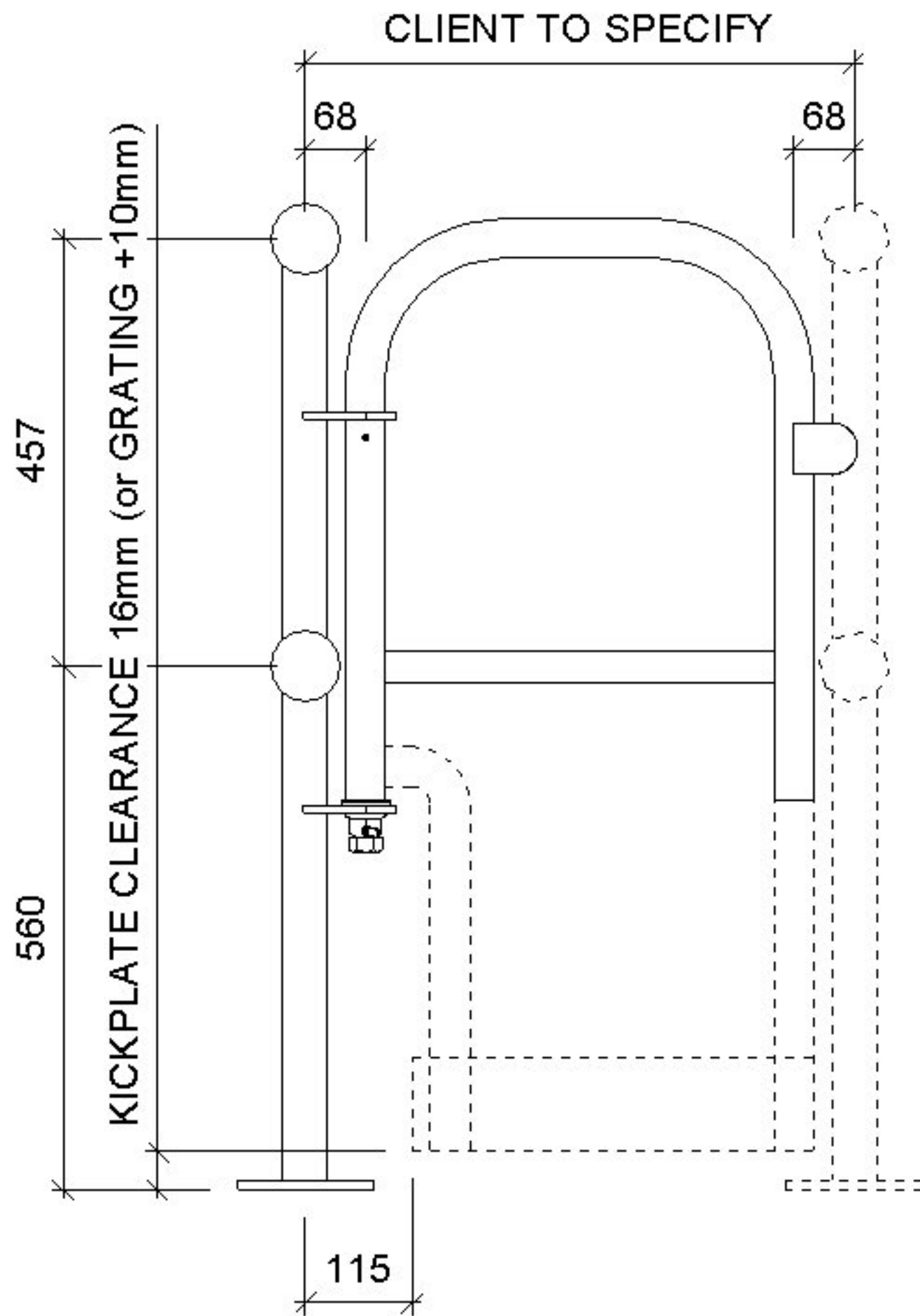
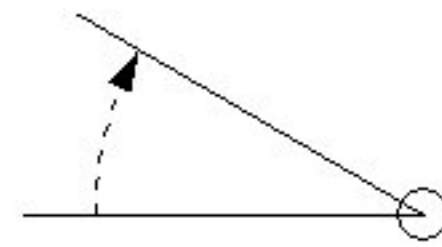


SE SWING
SHOWN

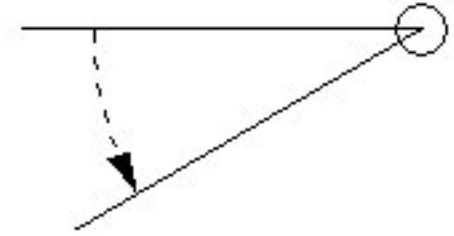


OPTIONS:
NO DRILLING
NO KICKPLATE BRACKET (STD)
KICKPLATE BRACKET W/O HOLES
KICKPLATE BRACKET W/- HOLES

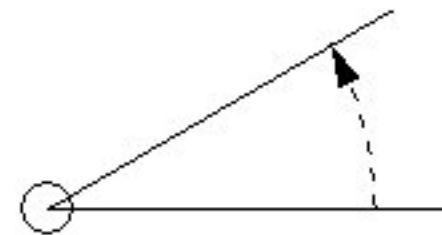
GATE SWING DIRECTION



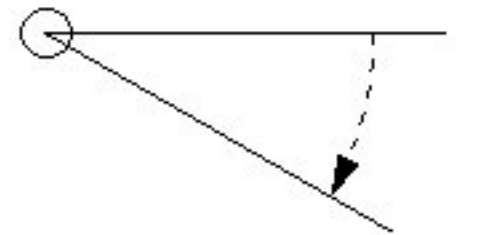
NW SWING



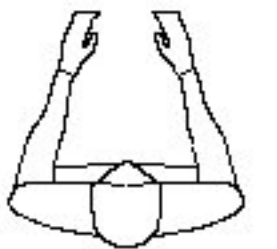
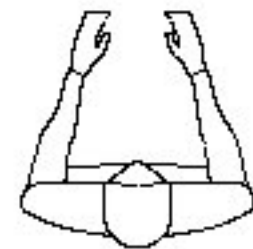
SW SWING



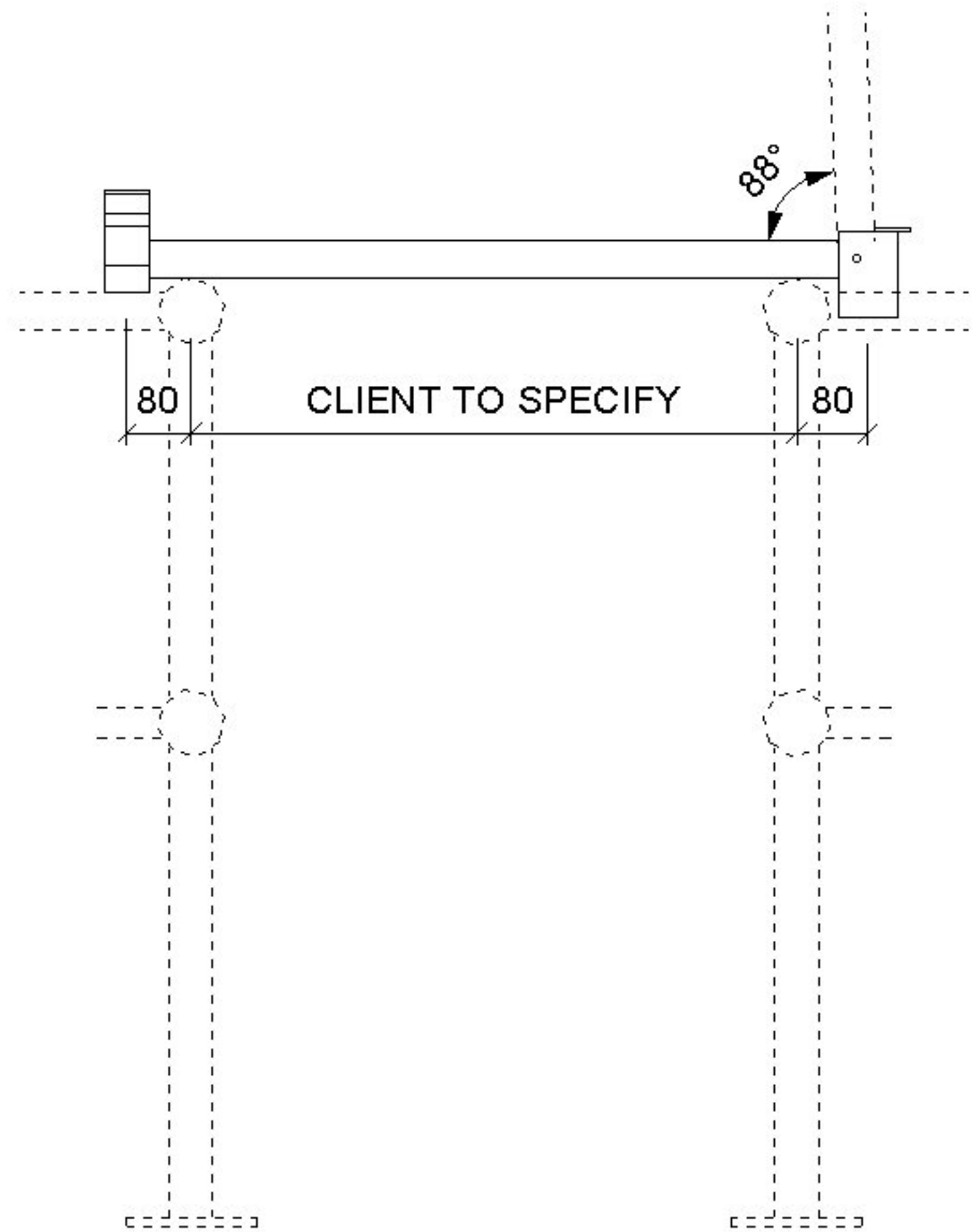
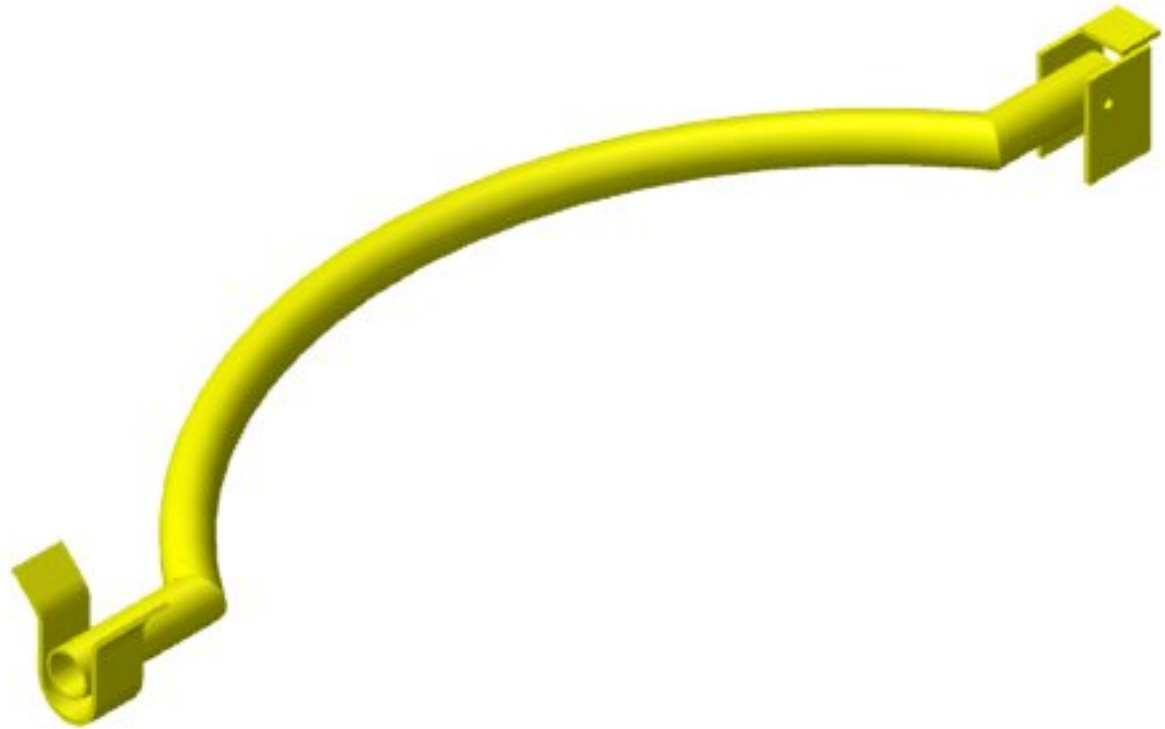
NE SWING



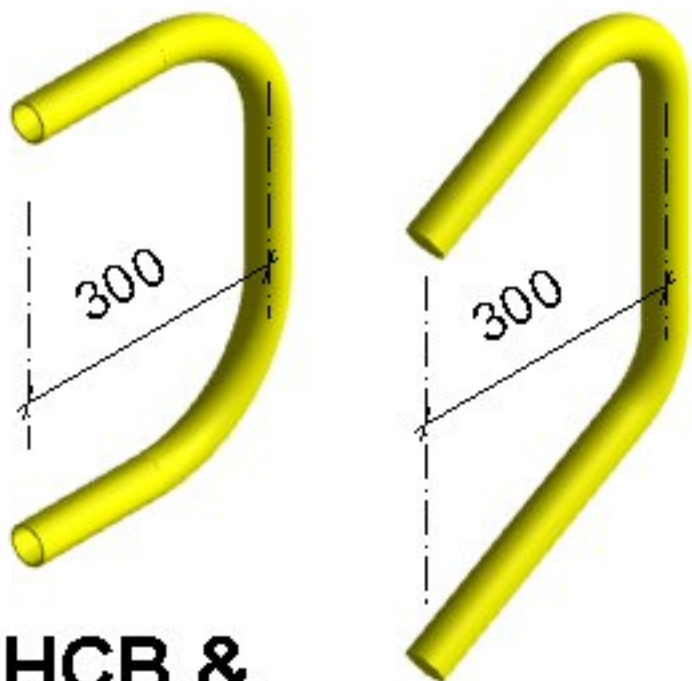
SE SWING



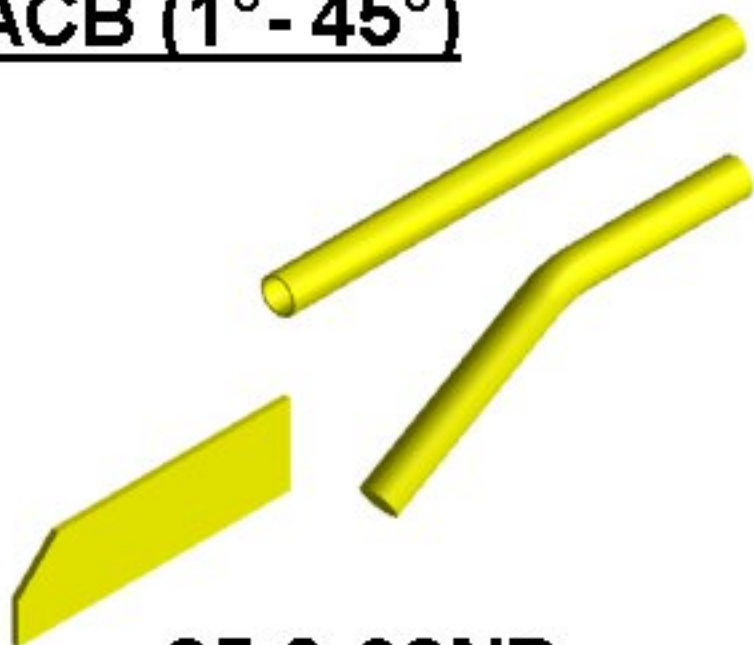
SELF CLOSING STANDARD GATE



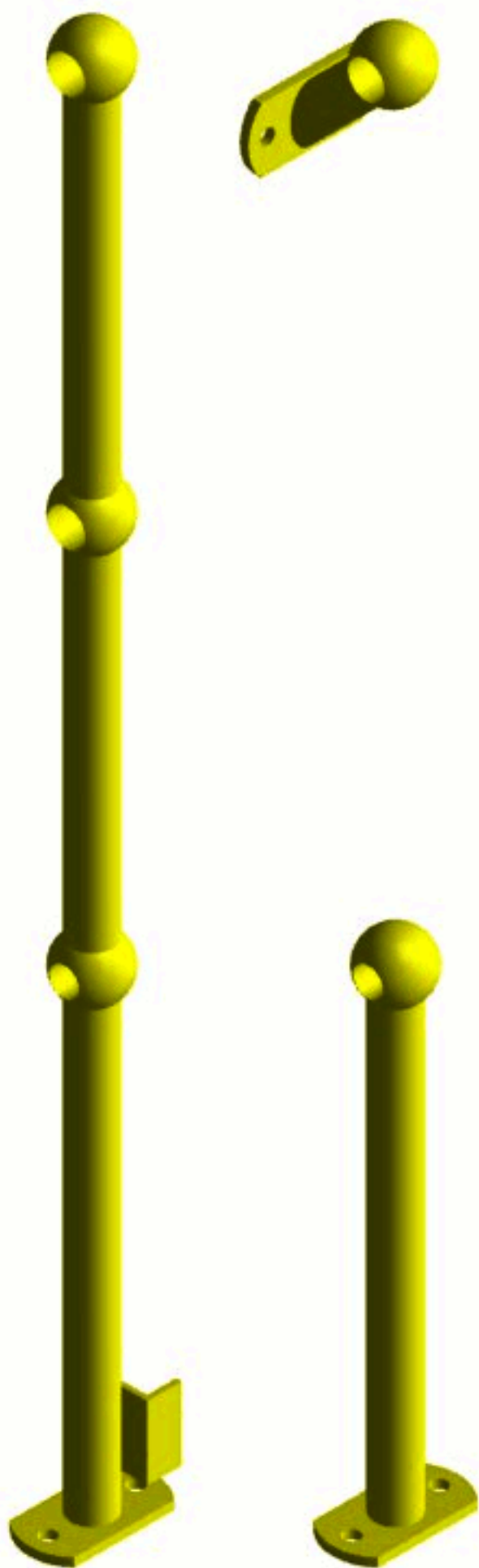
SELF CLOSING DROP GATE



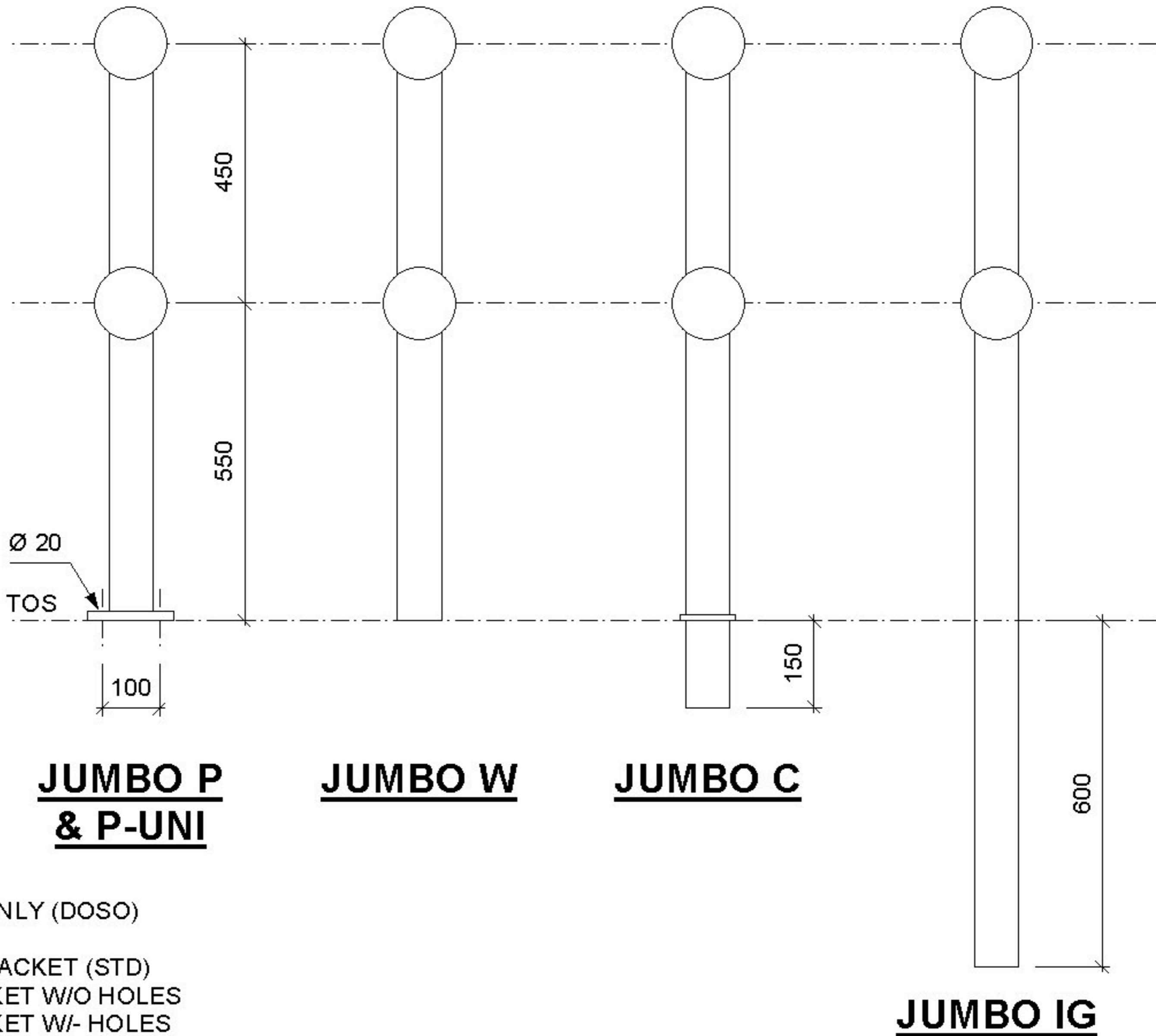
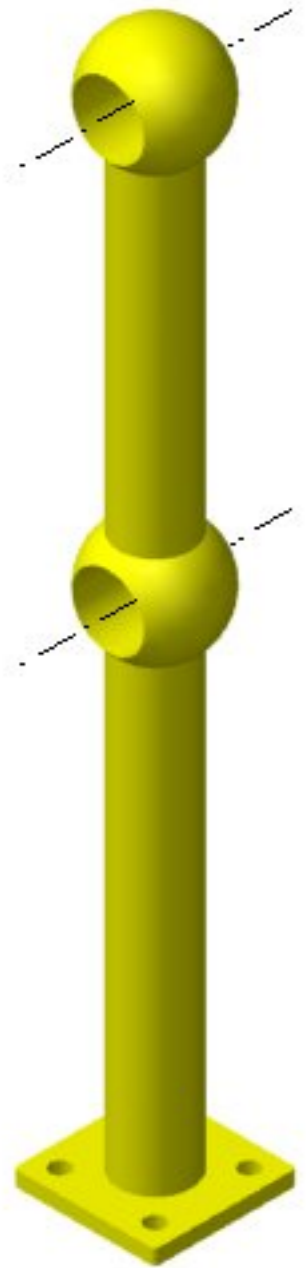
HCB &
ACB (1° - 45°)



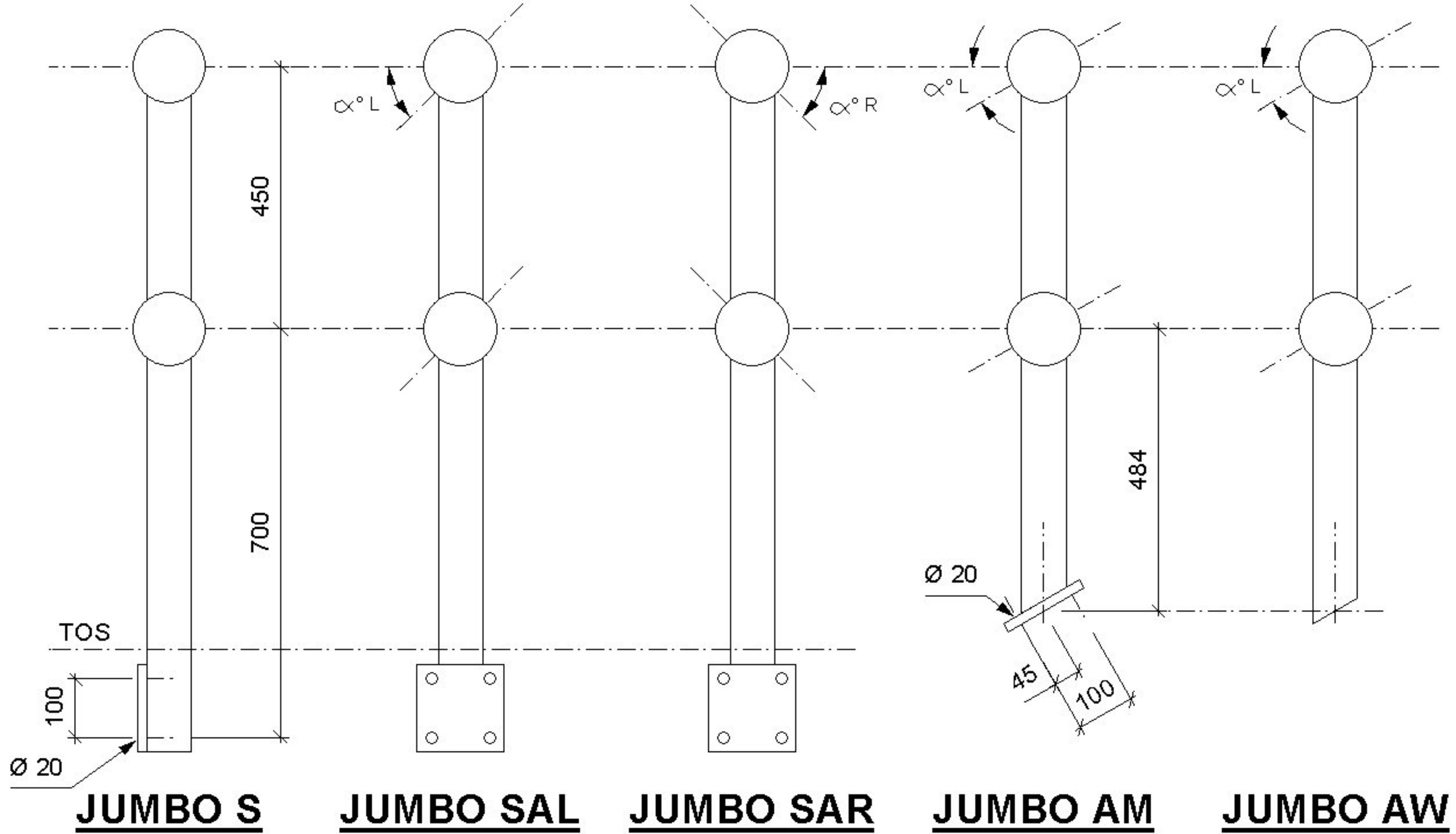
25 & 32NB
PIPE & BENDS
KICKPLATE
(100 x 8)

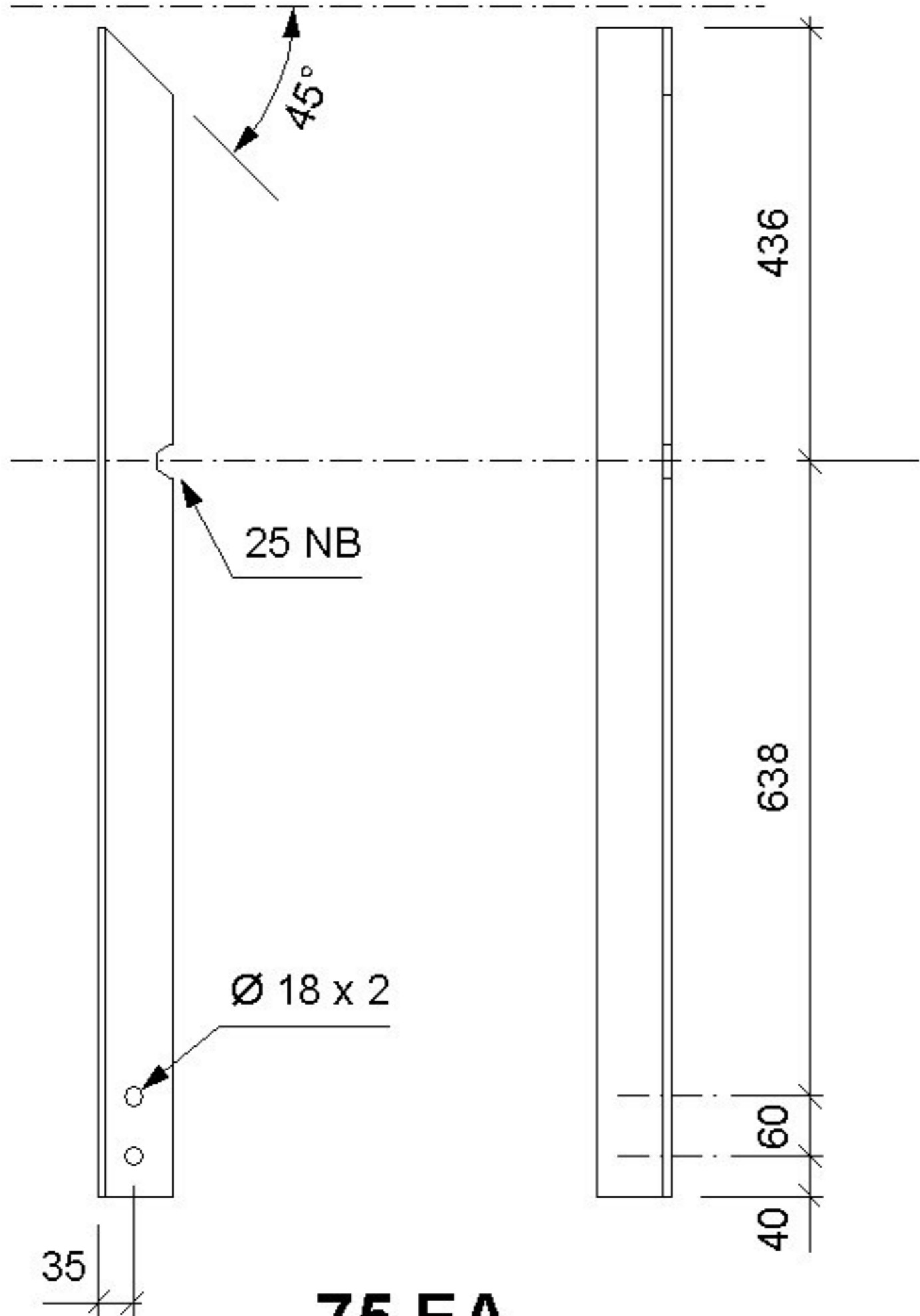
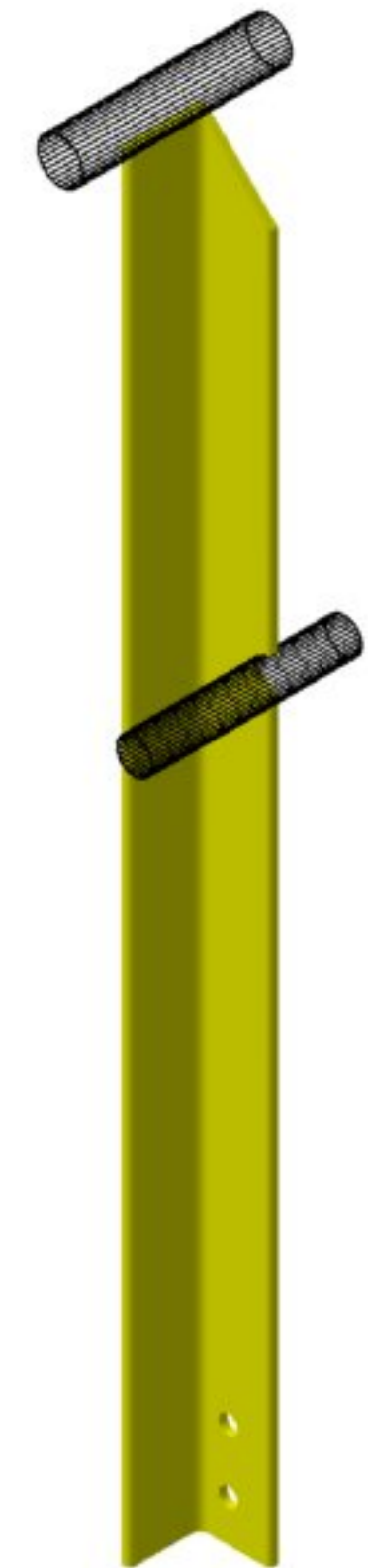


SPECIAL
COMPONENTS

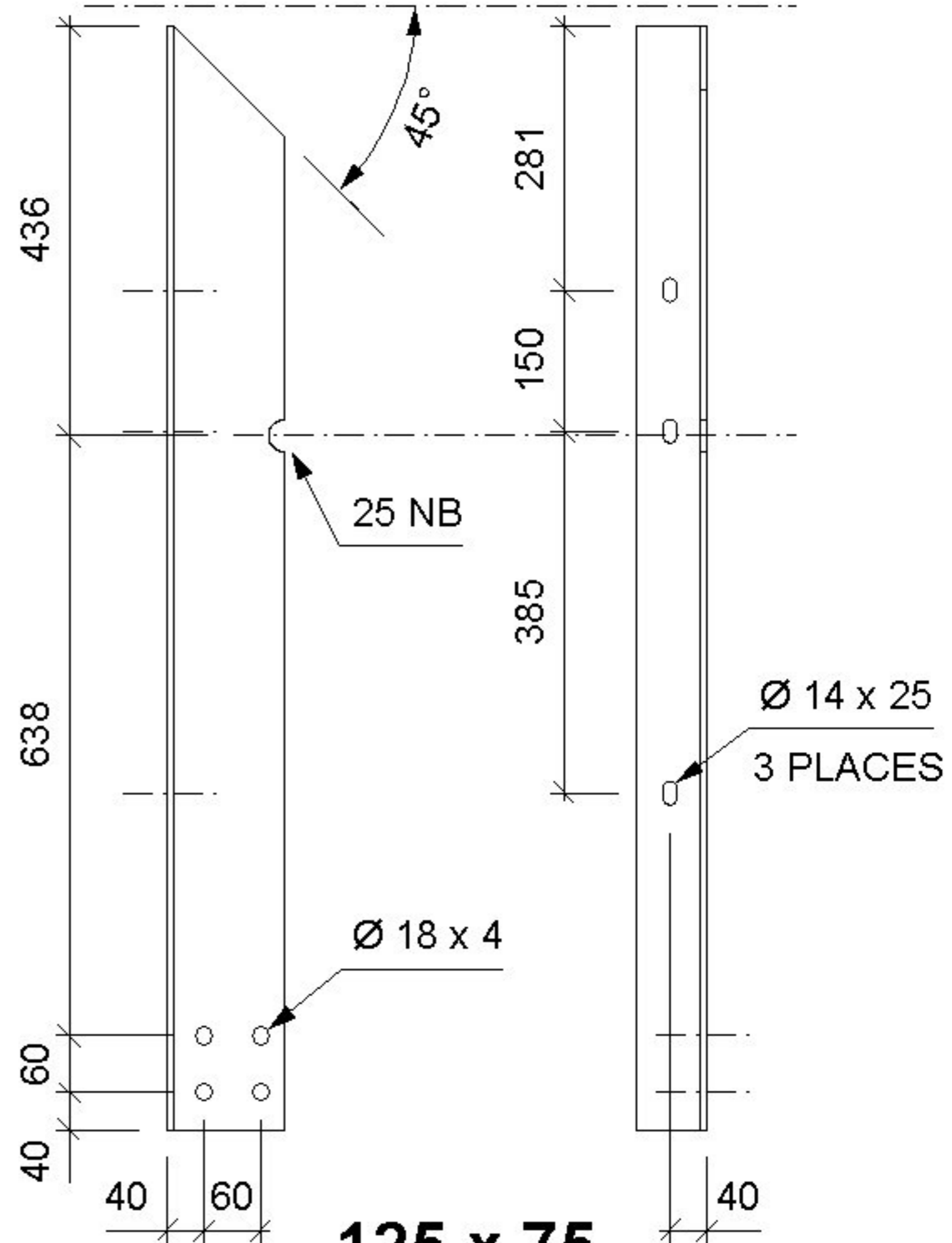


- OPTIONS:
 DRILL ONE SIDE ONLY (DOSO)
 NO DRILLING
 NO KICKPLATE BRACKET (STD)
 KICKPLATE BRACKET W/O HOLES
 KICKPLATE BRACKET W/ HOLES





75 EA
STANCHIONS



125 x 75
STANCHIONS