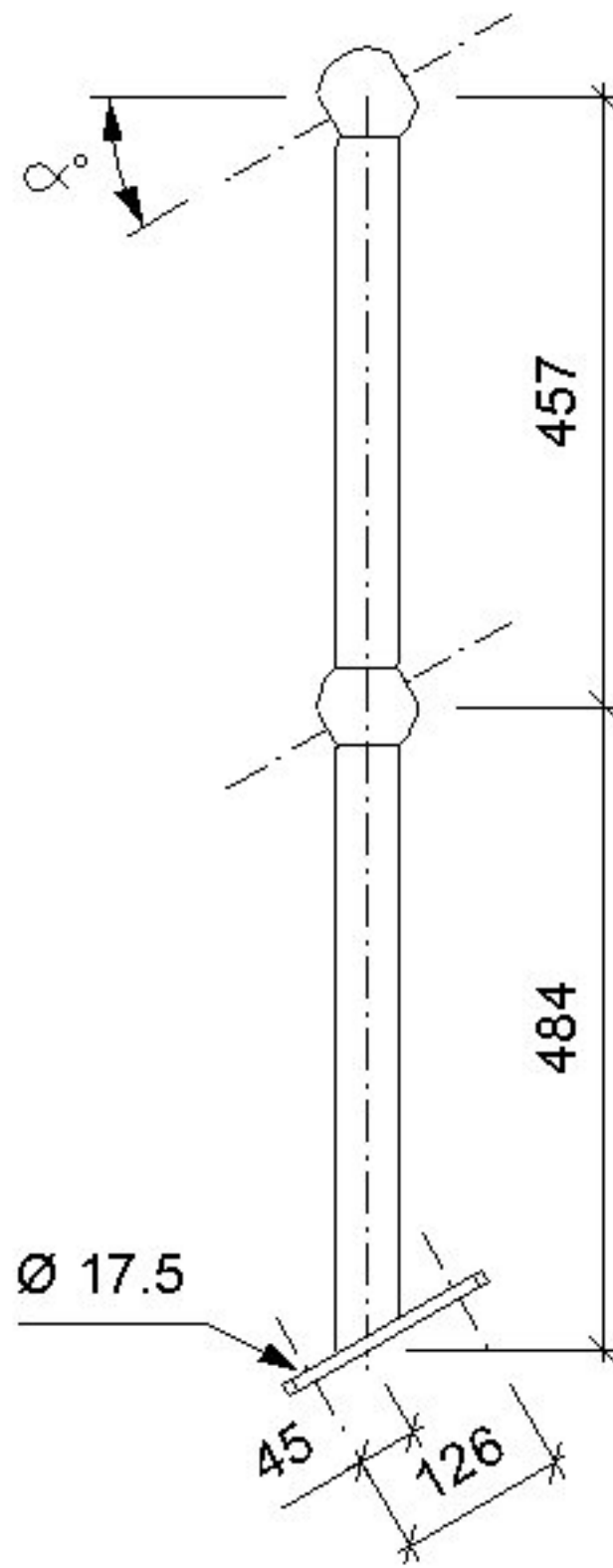
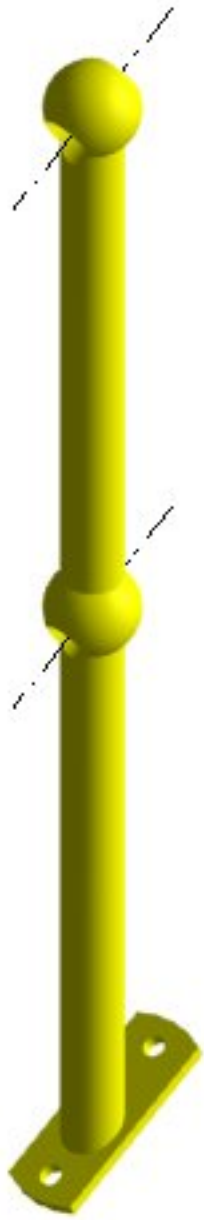


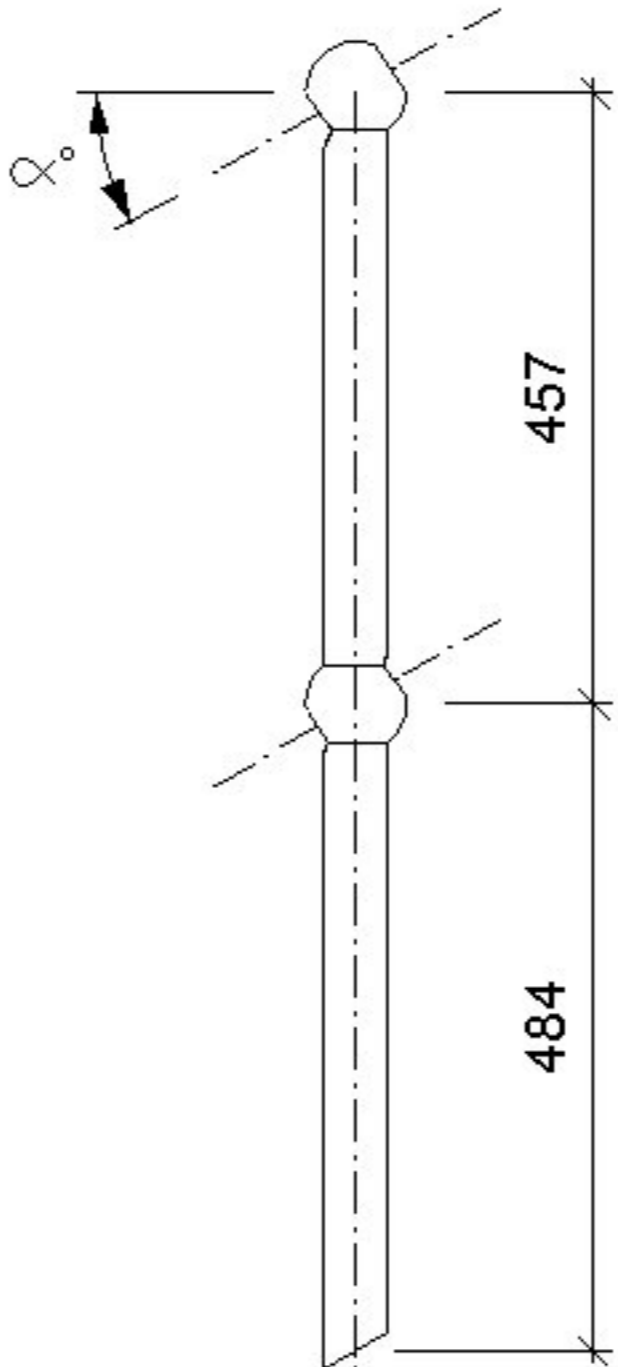
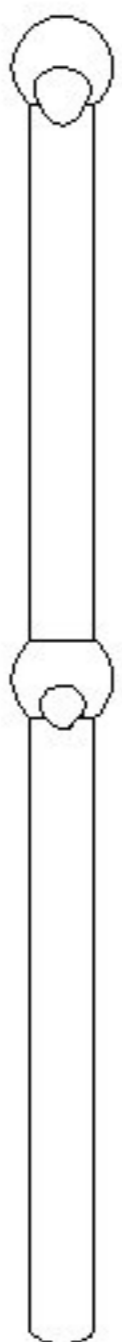
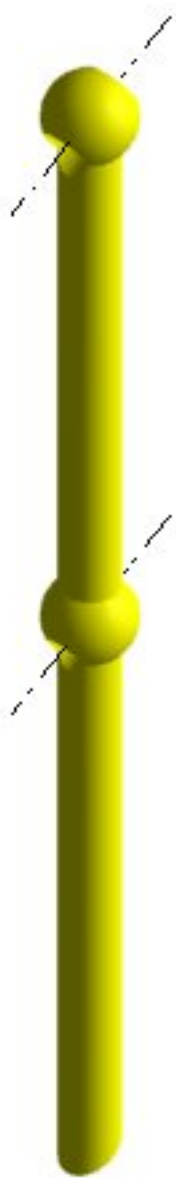
- OPTIONS:
DRILL ONE SIDE ONLY (DOSO)
NO DRILLING
NO KICKPLATE BRACKET (STD)
KICKPLATE BRACKET W/O HOLES
KICKPLATE BRACKET W/- HOLES

P UNI (CNR) STANCHION



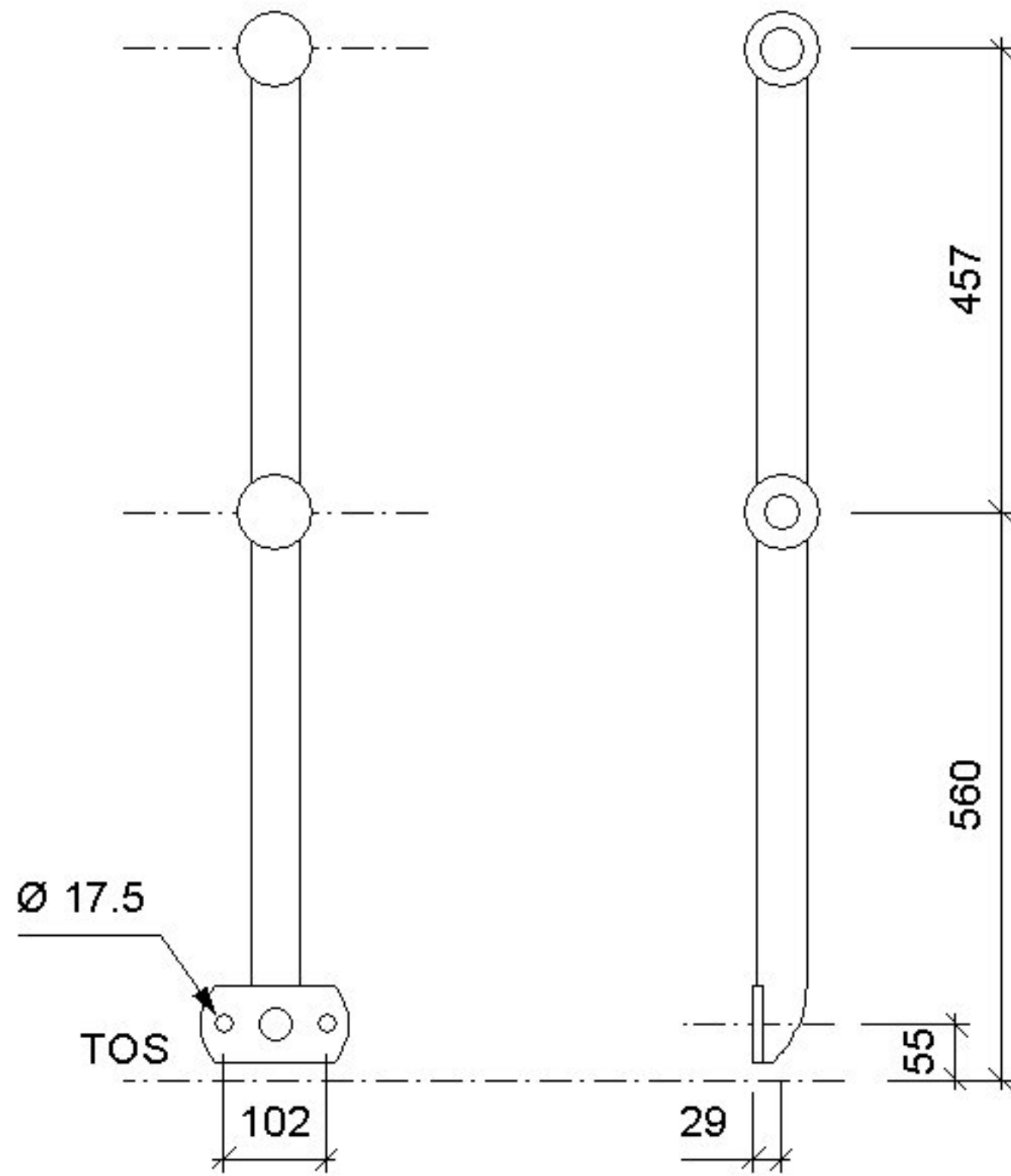
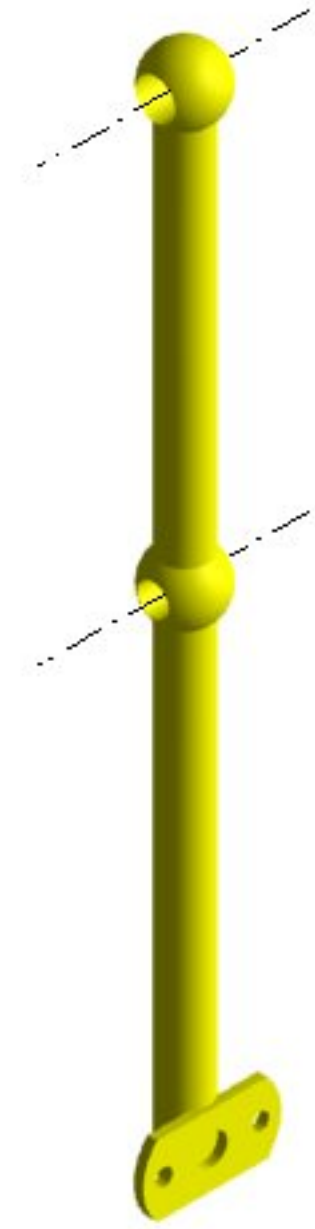
OPTIONS:
DRILL ONE SIDE ONLY (DOSO)
NO DRILLING

AM (1° - 45°) STANCHION



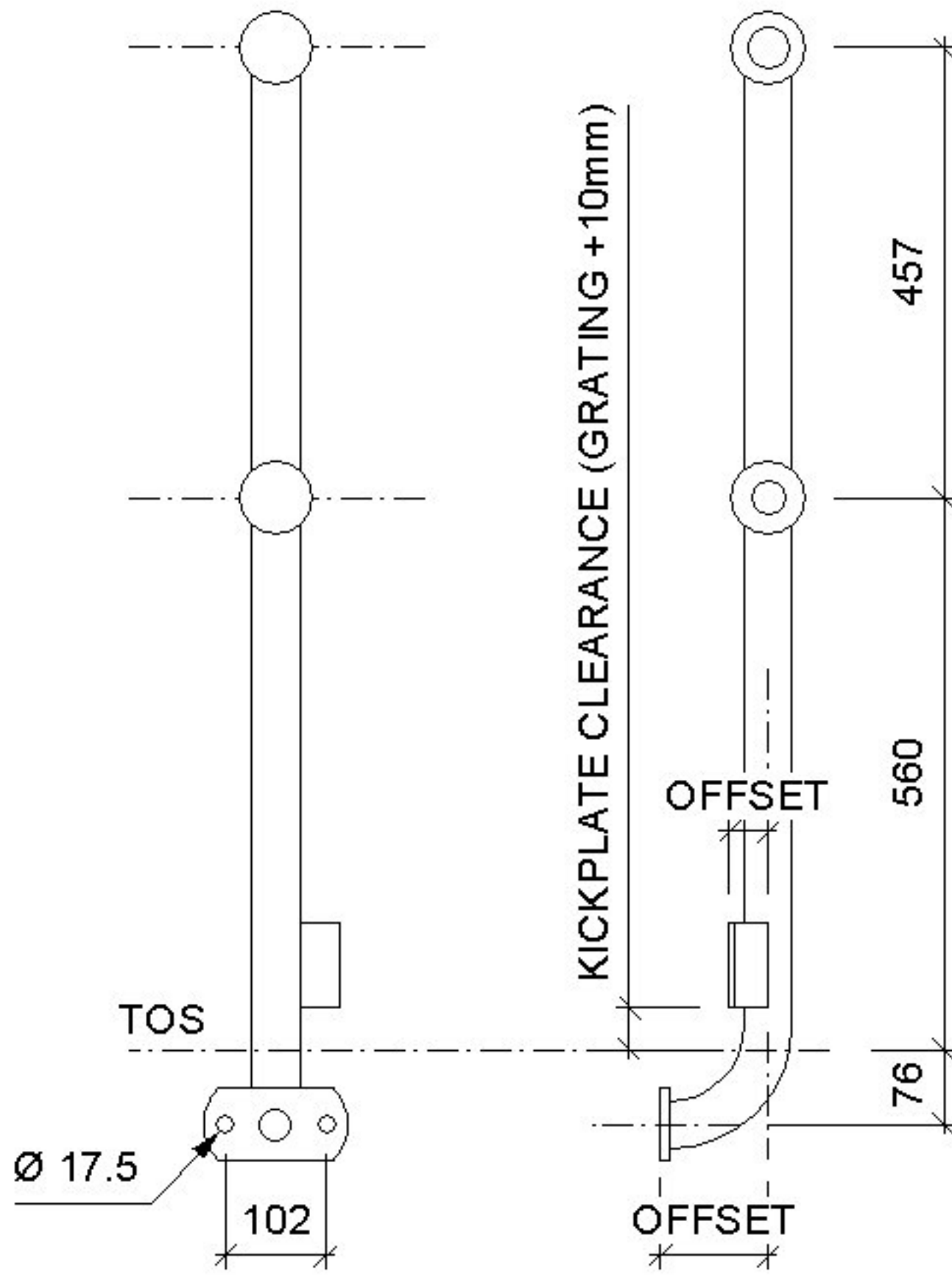
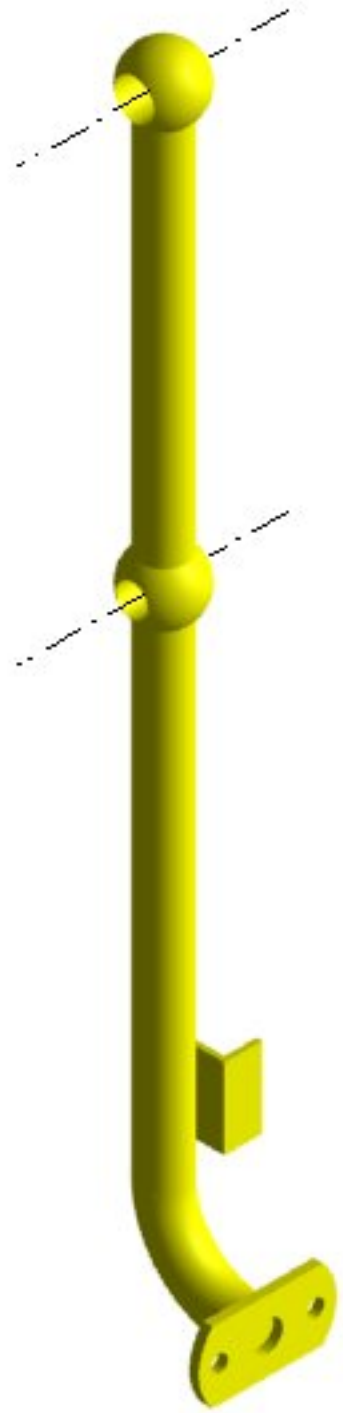
OPTIONS:
DRILL ONE SIDE ONLY (DOSO)
NO DRILLING

AMW (1° - 45°) STANCHION



OPTIONS:
DRILL ONE SIDE ONLY (DOSO)
NO DRILLING

SC STANCHION

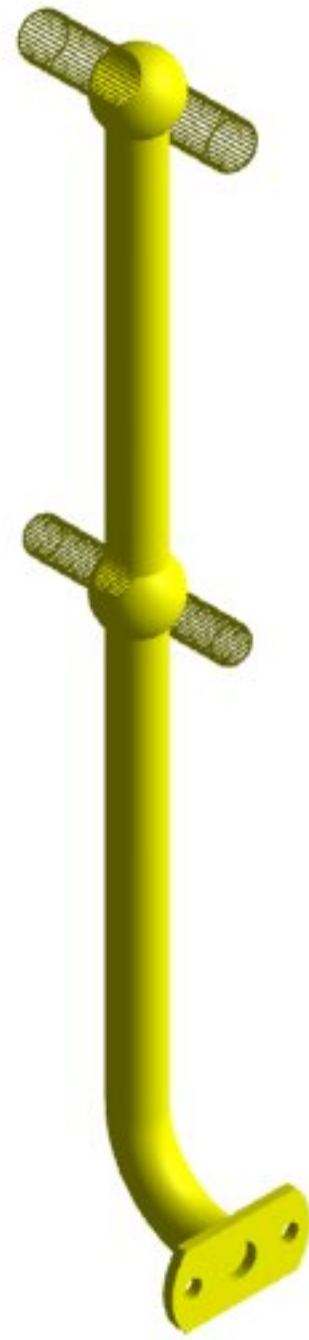


- OPTIONS:
DRILL ONE SIDE ONLY (DOSO)
NO DRILLING
NO KICKPLATE BRACKET (STD)
KICKPLATE BRACKET W/O HOLES
KICKPLATE BRACKET W/- HOLES

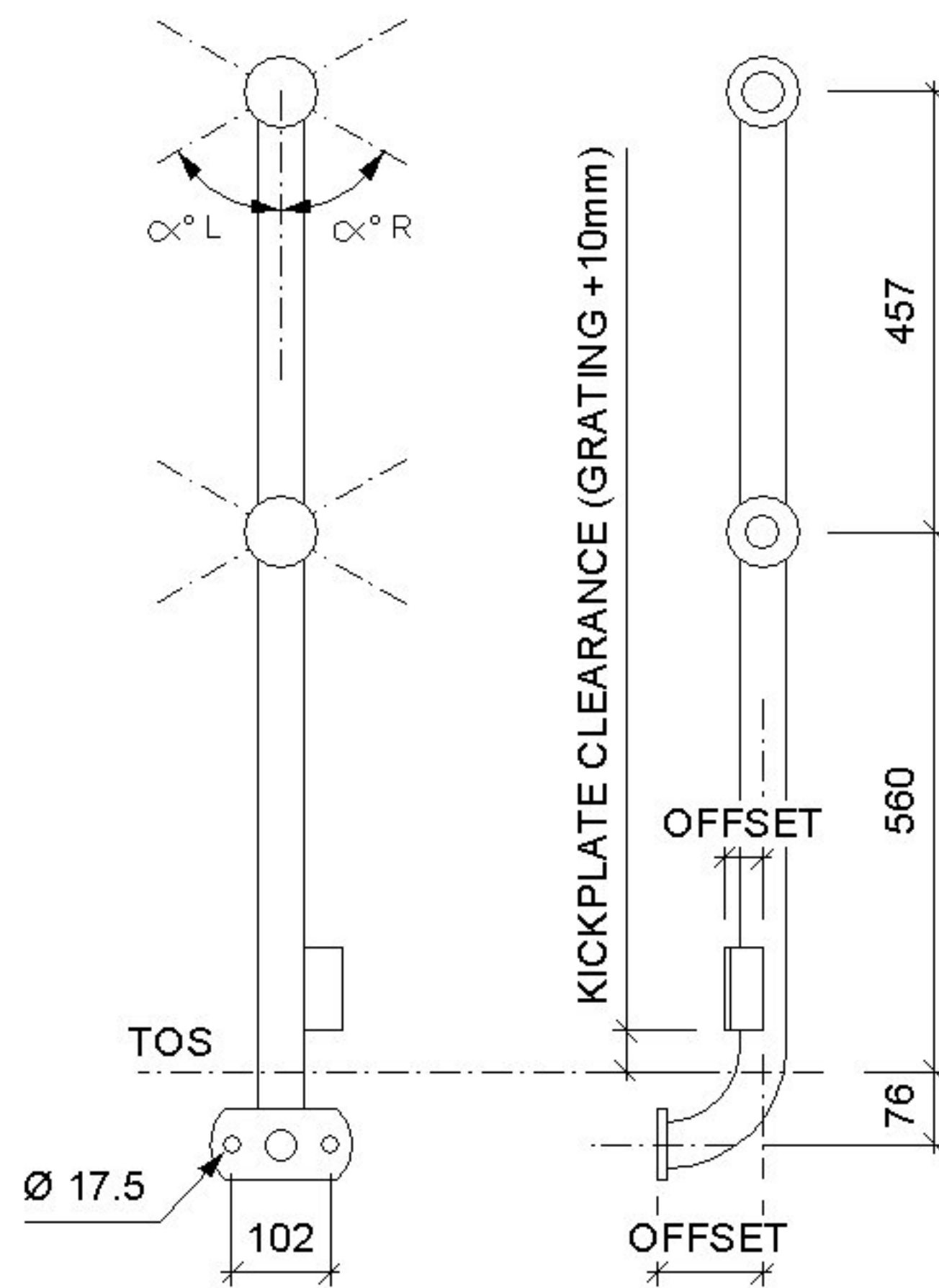
SO STANCHION



SOAL
(1° - 45°)



SOAR
(1° - 45°)



SOA STANCHION

OPTIONS:
DRILL ONE SIDE ONLY (DOSO)
NO DRILLING
NO KICKPLATE BRACKET (STD)
KICKPLATE BRACKET W/O HOLES
KICKPLATE BRACKET W/- HOLES