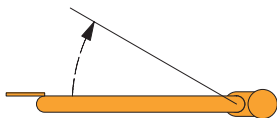


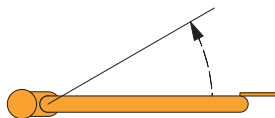
## Important

When ordering Self Closing Gates (SC Gate), it is important to nominate the swing direction required. (Refer to diagrams below).

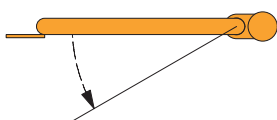
North West Swing  
RH Spring



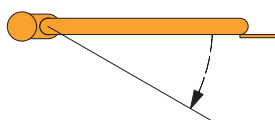
North East Swing  
LH Spring



South West Swing  
LH Spring



South East Swing  
RH Spring



The Mentis self closing gate has been specially designed to overcome the problems of non closure experienced by other manufacturers.

Mentis has designed a custom spring which is three times longer and of thicker section than those used by other manufacturers. Current SC Gates in operation have proven to perform 45,000 swings without loss in closing force.

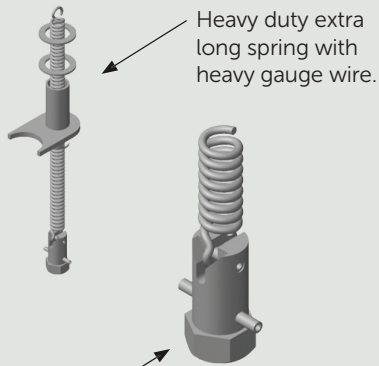
Another advantage of the Mentis SC Gates hinge mechanism is that the closing force can be easily adjusted on site, using a 30mm spanner.

In addition, nylon washers having a low co-efficiency of friction ensure long life and no unsightly rust stains. All components used in our SC Gates are either galvanised or made from stainless steel.

Bolting hinges are available to fit an SC gate to existing stanchions, without welding.

Photocopy this page and fill in the boxes to order SC Gates. This order form can also be download from our website, or contact us for a soft copy. NOTE: Put N/A in the clear height box if Kickplate is not required.

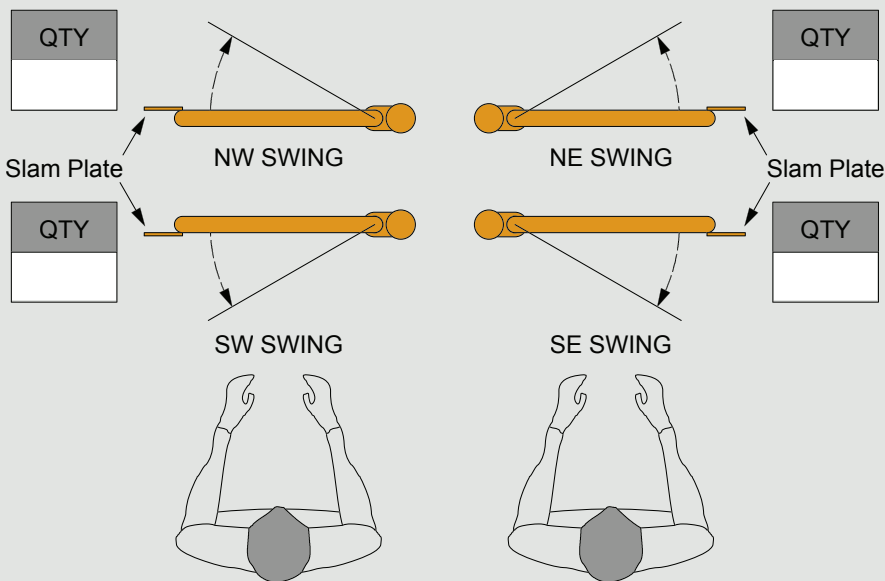
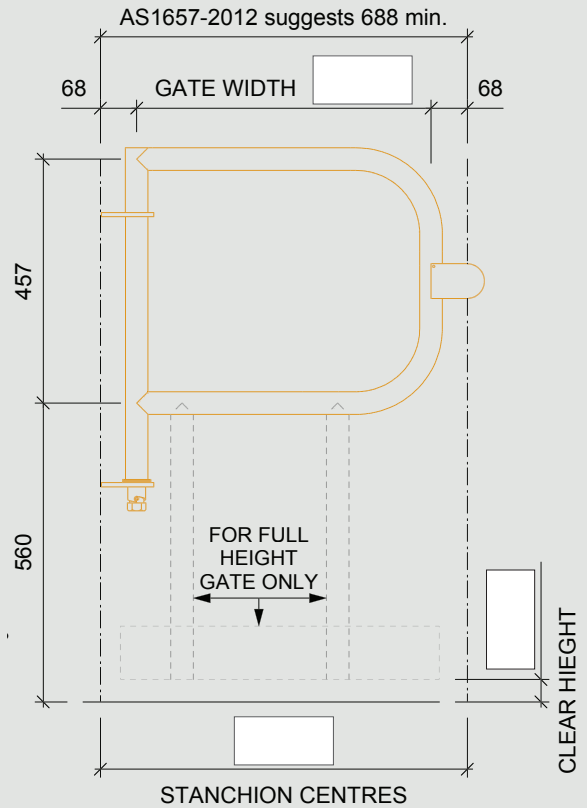
## Gate Spring Features



Heavy duty extra long spring with heavy gauge wire.

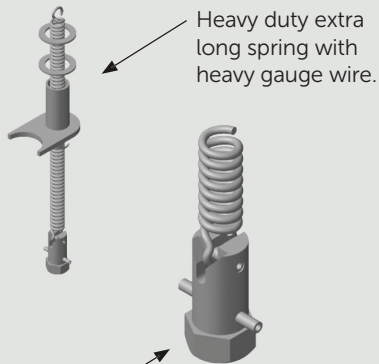
Stainless steel spring nut which suits a 30mm socket or spanner for tensioning. WARNING: DO NOT OVER TENSION.

KP is on Slam Plate Side?  
 YES  NO



Photocopy this page and fill in the boxes to order SC Gates. This order form can also be download from our website, or contact us for a soft copy. NOTE: Put N/A in the clear height box if Kickplate is not required.

### Gate Spring Features



Heavy duty extra long spring with heavy gauge wire.

Stainless steel spring nut which suits a 30mm socket or spanner for tensioning. WARNING: DO NOT OVER TENSION.

KP is on Slam Plate Side?  
 YES  NO

